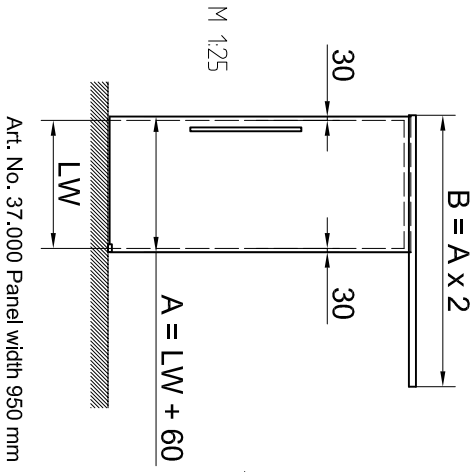


MUTO Comfort M60 2.0

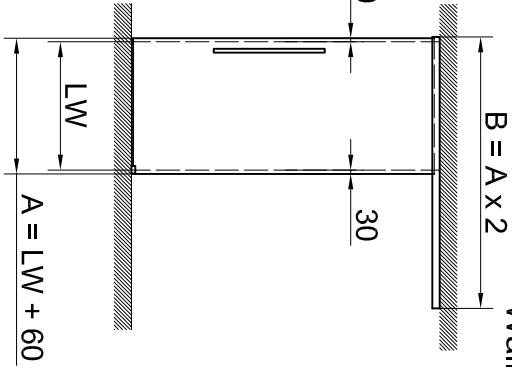
Wall- and ceiling mounting



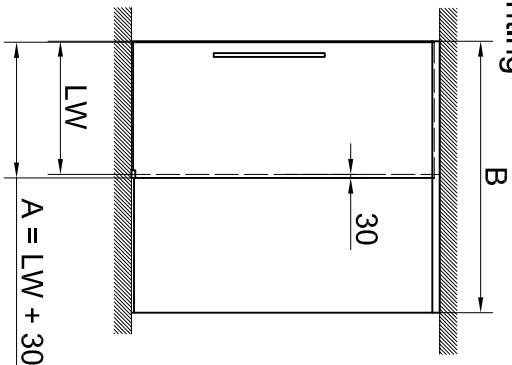
37.000 - 37.013



- Art. No. 37.000 Panel width 950 mm
- Art. No. 37.006 incl. DORMOTION
- Art. No. 37.001 Panel width 1200 mm
- Art. No. 37.007 incl. DORMOTION
- Art. No. 37.004 Individual length
- Art. No. 37.010 incl. DORMOTION



- Art. No. 37.002 Panel width 950 mm
- Art. No. 37.008 incl. DORMOTION
- Art. No. 37.003 Panel width 1200 mm
- Art. No. 37.009 incl. DORMOTION
- Art. No. 37.005 Individual length
- Art. No. 37.011 incl. DORMOTION



- Art. No. 37.012 Individual length
- Art. No. 37.013 incl. DORMOTION

- A = glass width
- B = length of track
- GH1 = glass height panel
- GH2 = glass height sidelight
- LH = total height
- LW = clear opening width
- t1 = glass thickness panel (8-12 mm)
- t2 = glass thickness sidelight (8-13,5 mm)
- S = glass width sidelight
- Y = 61 - (15 + t1)

