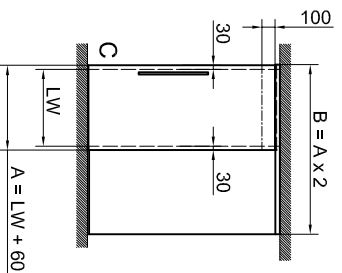
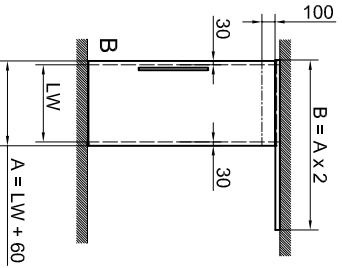
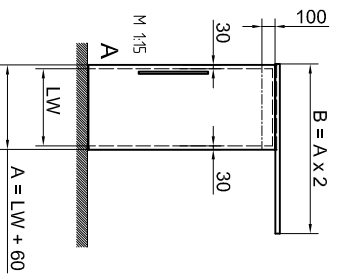


# MUTO Comfort M60 2.0

Timber door connection Wall- and ceiling mounting



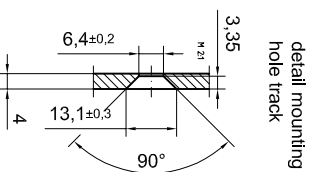
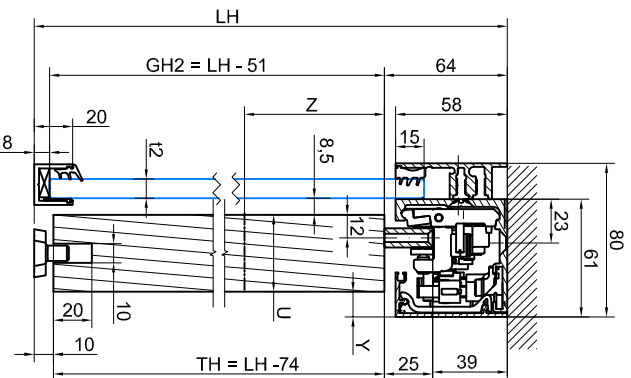
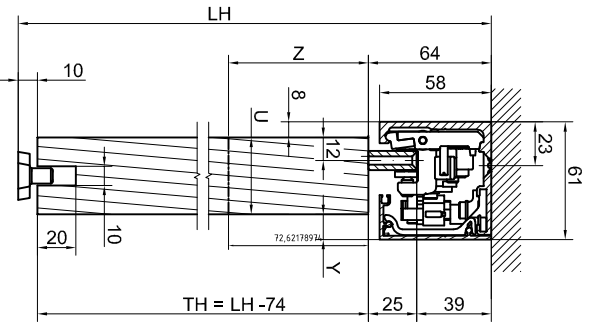
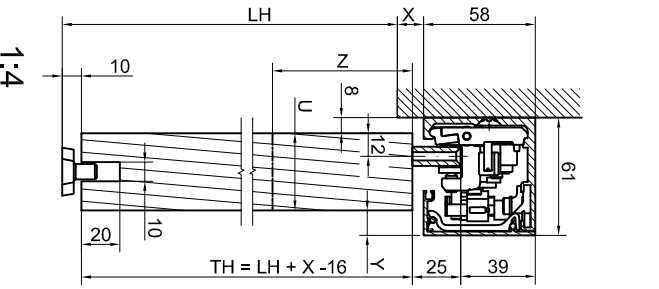
37.000 - 37.013, 37.036



- A = panel width
  - B = length of track
  - TH1 = panel height
  - GH2 = glass height sidelight
  - LH = total height
  - LW = clear opening width
  - U = panel thickness (28-50 mm)
  - 12 = glass thickness sidelight (8-13,5 mm)
  - S = glass width sidelight
  - Y = 61 - (8 + U)
  - Z = 100mm solid timber for timber adapter
- A Art. No. 37.000 Panel width 950 mm  
Art. No. 37.006 incl. DORMOTION
  - B Art. No. 37.001 Panel width 1200 mm  
Art. No. 37.007 incl. DORMOTION
  - C Art. No. 37.004 Individuelle Länge  
Art. No. 37.010 incl. DORMOTION
  - Art. No. 37.002 Panel width 950 mm  
Art. No. 37.008 incl. DORMOTION
  - Art. No. 37.003 Panel width 1200 mm  
Art. No. 37.009 incl. DORMOTION
  - Art. No. 37.005 Individuelle Länge  
Art. No. 37.011 incl. DORMOTION
  - Art. No. 37.012 individual length  
Art. No. 37.013 incl. DORMOTION

Timber door 100mm solid timber for connection with timber adapter

Art. No. 37.036 - Set timber adapter



detail mounting hole track

1:4

T:\SHARED\DEB\FIKONSTRUKTION\_INTERNA\DETAIL\37\37-000T.DWG

11.2023 / 016106

37-000 T